

# FIXED CHAMBER ROUND BALER R12/155 SUPER - R12/2000 SUPER

# FIXED CHAMBER ROUND BALER R12/155 SUPER - R12/2000 SUPER



## TECHNICAL FEATURES

	R12\155 SUPER	R12\2000 SUPER
Pickup width	1,5	2,0
Pressing elements	łańcuch	łańcuch
Number of crossbars	43	43
Required power, kW	29	38
Rotary speed of power-takeoff shaft, RPM	540	540
Production output, bales/hour	do 25	do 25
Dimension of bale formed, m	D1.55*h1.2	D1.55*h1.2
Density of pressing, kg/m3	350	350
Bale weight, kg	do 850	do 850
Machine dimensions, m (length - width - height)	4,13*2,22*2,22	4,13*2,45*2,45
Weight, kg	2060	2550

Additional information can be found at web-site: [www.agro.krmz.info](http://www.agro.krmz.info)



4, Trubnaya st., Krasnokamsk,  
617060, Perm Territory, Russia,  
Tel: +7 342 255 40 51  
[agro@krmz.info](mailto:agro@krmz.info)



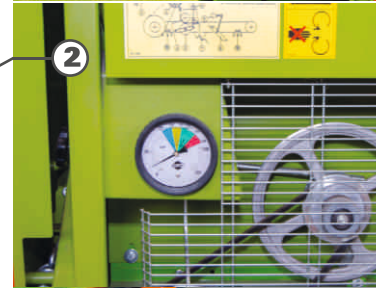


## Fixed Chamber Round Baler R12/155 Super

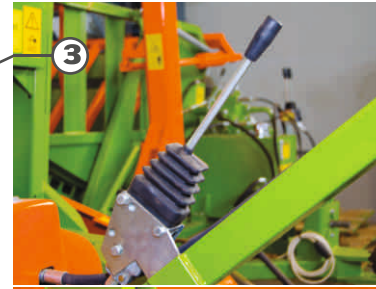
The equipment is designed to pick up and press grass chopping into bales (haylage, hay, straw, flax for harl) while wrapping bales with polypropylene baler twine or net.



Constant volume chamber forms the high-density bales having an ideal cylinder shape. It has an increased number of pressing shafts made of high alloy steel: shafts and chains provide pressing of high humidity grass chopping.



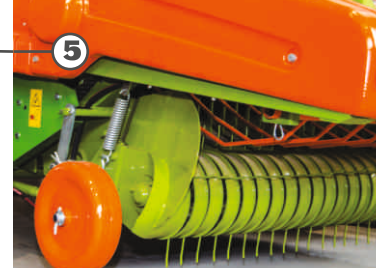
Pressed density is controlled by a pressure gauge installed on the press. Baler twine (net) is supplied by a hydraulic motor and cut after tying.



A remote control system let to control the baler from the tractor cab.



Bale ejector optimizes an operational time, facilitates and hastens the bales unloading.

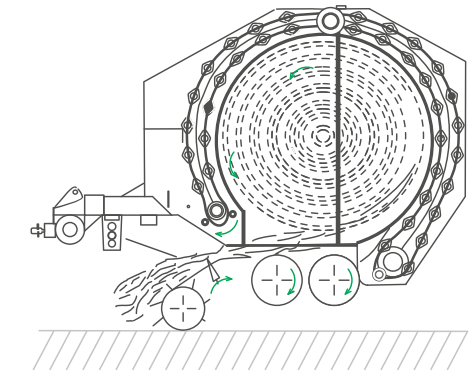


Baler pick-up width is 162 cm and low gravity center make the machinery an ideal one to operate in difficult-to-reach areas and at slopes.



Placer promotes the baler unloading, improves a supply of wet and short-stalked dry mass into press chamber that facilitates a highly qualitative picking-up even in case of a rugged land topography, keeping a bale shape and easier rolling-out when feeding.

**The baler can be relocated to significant distances with high velocity without any limitation as regards to a road pavement. The baler is also equipped with a lighting system.**



Bales received with Baler R12/155 Super have the following advantages:  
 High weight of the bale received;  
 High compactness, density and stability to relocation, does not break up when storing and loading;  
 The bales received are ideal for their wrapping with a special wrap for silage making;  
 Due to their high density, the bales are easily disintegrated in mixers of feeders.